



Wilbur

SC-7400~SC-7411

Our Wilbur series fixtures are classic tube lights that you might have seen 80 years ago in nicer public buildings. They would have been incandescent then with only glass lens options. But we are pleased to offer them in a variety of metals, diffusers, and lampings today that will make them very compatible with most any room. Wilbur features a seamless cylinder that is wrapped by stylish layered end caps on either side. The endcaps are actually machined from thick plate stock, not turned or stamped as you might imagine. The effect is dramatic. Wilbur is a real head-turner.

~Wilbur Series~

- Chandelier: CH-7400~CH-7411
- Pendant: PD-7400~PD-7431
- Ceiling Mount: CL-7400~CL-7408
- Wall Mount: SC-7400~SC-7411**
- Bollard: BL-7400~BL-7411

Mounting: Lightsmith fixtures mount to standard 4" octagon electrical boxes unless otherwise specified. All hardware and canopies supplied.

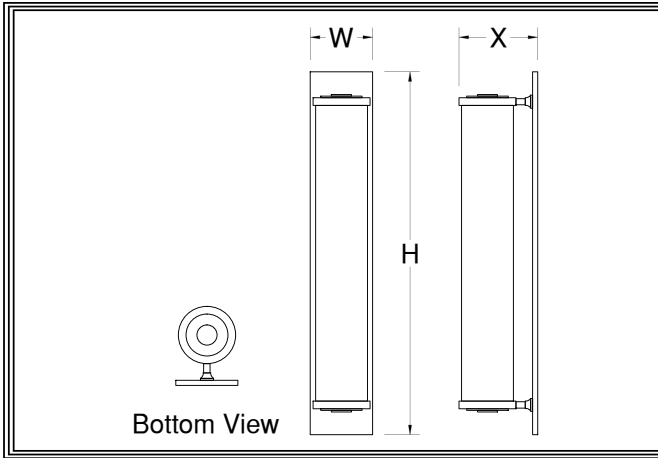
Listing and Warranty: Lightsmith fixtures are Underwriters Laboratories listed and carry a standard three year warranty against defects in materials and labor beginning at date of shipment.



Fixture Specifications

~ ~ ~ ~ ~ ~

FIXTURE NUMBER (Example: SC-7400)	DIFFUSER (Example: BGA-ECH)	METAL FINISH (Example: ABB)	VOLTAGE <input type="checkbox"/> (120V) <input type="checkbox"/> (277V) <input type="checkbox"/> (347V)	STEM=S+Lgth (Example: S-96") CHAIN=C+Lgth (Example: C-96") NR=Not required	OPTIONS (Example: DIM,IEM)	MODIFICATIONS (Example: Custom Paint) Use "Notes" Box At Top To Explain Modifications
---	---------------------------------------	---------------------------------------	---	---	--------------------------------------	--



Fixture Number Job Type

Job Name

Notes~Modifications

	Fixture Number	Dimensions	Lamping	Weight	Options
LED	<input type="checkbox"/> SC-7409	3w x 18h x 4x*	2-11wCLED (2385 lumens)	5 lbs	WLM
	<input type="checkbox"/> SC-7410	5w x 24h x 6x	2-13wCLED (2820 lumens)	7 lbs	WLM
	<input type="checkbox"/> SC-7411	7w x 30h x 8x	2-23wCLED (5580 lumens)	9 lbs	WLM DALI,IEM,FUS**
INCANDESCENT	<input type="checkbox"/> SC-7400	3w x 18h x 4x*	2-60wT10 (1600 lumens)	3 lbs	WLM
	<input type="checkbox"/> SC-7401	5w x 24h x 6x	2-75wA (2800 lumens)	5 lbs	WLM
	<input type="checkbox"/> SC-7402	7w x 30h x 8x	2-100wA (3400 lumens)	7 lbs	WLM
FLUORESCENT	<input type="checkbox"/> SC-7403	3w x 18h x 4x*	1-FT24W (1800 lumens)	4 lbs	WLM
	<input type="checkbox"/> SC-7404	5w x 24h x 6x	1-FT36W (2900 lumens)	6 lbs	WLM
	<input type="checkbox"/> SC-7405	7w x 30h x 8x	1-FT40W (3300 lumens)	8 lbs	WLM DIM,IEM,FUS*

*ADA Fixture

~Single Circuit Standard Wiring~

*All Fluorescent Fixtures
**All LED Fixtures

DIFFUSER	<input type="checkbox"/> BGA: Beige Alabaster Acrylic	<input type="checkbox"/> GRA: Green Edge Acrylic	<input type="checkbox"/> ECH: Etched*
	<input type="checkbox"/> NHA: Natural Horn Acrylic	<input type="checkbox"/> EGA: Earth Green Acrylic	*Etched option creates a matte, non-glossy finish on one side of the diffuser. (Example: WOA-ECH)
	<input type="checkbox"/> WHA: White Alabaster Acrylic	<input type="checkbox"/> DGA: Deep Gold Acrylic	
	<input type="checkbox"/> HNA: Honey Alabaster Acrylic	<input type="checkbox"/> SBA: Sea Blue Acrylic	
	<input type="checkbox"/> WOA: White Opal Acrylic	<input type="checkbox"/> PHA: Purple Haze Acrylic	

	SOLID BRASS FINISHES	PAINTED METAL FINISHES	ALUMINUM FINISHES	STAINLESS STEEL FINISHES
METAL FINISH	<input type="checkbox"/> ABB: Antique Brass	<input type="checkbox"/> DGP: Dark Green	<input type="checkbox"/> SAA: Satin Aluminum	<input type="checkbox"/> SSS: Satin
	<input type="checkbox"/> SBB: Satin Brass	<input type="checkbox"/> VGP: Verde Green	<input type="checkbox"/> SNA: Satin Nickel	<input type="checkbox"/> DSS: Distressed
	<input type="checkbox"/> PBB: Polished Brass	<input type="checkbox"/> CGP: Charcoal Gray	<input type="checkbox"/> PAA: Polished Aluminum	<input type="checkbox"/> PSS: Polished
	<input type="checkbox"/> ANB: Antique Nickel	<input type="checkbox"/> MBP: Medium Bronze	<input type="checkbox"/> BBA: Burnished Bronze	<input type="checkbox"/> HSS: Hammered
	<input type="checkbox"/> SNB: Satin Nickel	<input type="checkbox"/> SBP: Satin Black	<input type="checkbox"/> RNA: Red Naval Bronze	<input type="checkbox"/>
	<input type="checkbox"/> PNB: Polished Nickel	<input type="checkbox"/> DBP: Dark Bronze	<input type="checkbox"/> SGA: Satin Gold	<input type="checkbox"/>
	<input type="checkbox"/> AZB: Antique Bronze	<input type="checkbox"/> LBP: Light Bronze	<input type="checkbox"/> SBA: Satin Bronze	<input type="checkbox"/>
	<input type="checkbox"/> SZB: Satin Bronze	<input type="checkbox"/> MGP: Medium Gold	<input type="checkbox"/> ORA: Oil Rubbed Bronze	<input type="checkbox"/>
	<input type="checkbox"/> PZB: Polished Bronze	<input type="checkbox"/> SCP: Sponged Copper	<input type="checkbox"/> SCA: Satin Copper	<input type="checkbox"/>
	<input type="checkbox"/> CSB: Custom Brass*	<input type="checkbox"/> CSP: Custom Paint*	<input type="checkbox"/> CSA: Custom Aluminum*	<input type="checkbox"/>
	<input type="checkbox"/>			<input type="checkbox"/>
	<input type="checkbox"/>			<input type="checkbox"/>
	<input type="checkbox"/>			<input type="checkbox"/>
	<input type="checkbox"/>			<input type="checkbox"/>

OPTIONS	<input type="checkbox"/> WLM: Wet Location Mounting	<input type="checkbox"/> DIM: Dimming Ballast	<input type="checkbox"/> FUS: Fusing
	<input type="checkbox"/>	<input type="checkbox"/> IEM: Integral Emer.Ballast*	<input type="checkbox"/> DALI: Dali dimming LED
	<input type="checkbox"/>		<input type="checkbox"/>
	<input type="checkbox"/>		<input type="checkbox"/>
	<input type="checkbox"/>		<input type="checkbox"/>

*Increases backplate depth by 1".